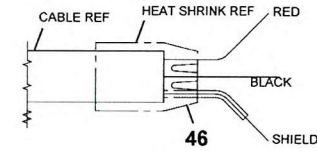
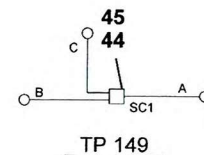
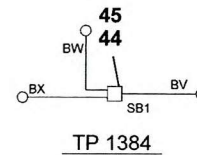
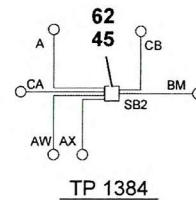
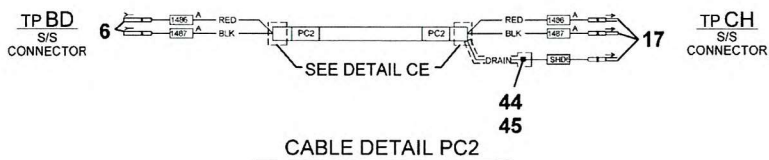
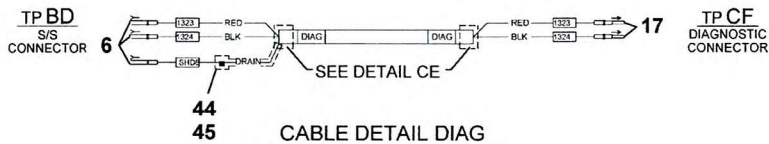
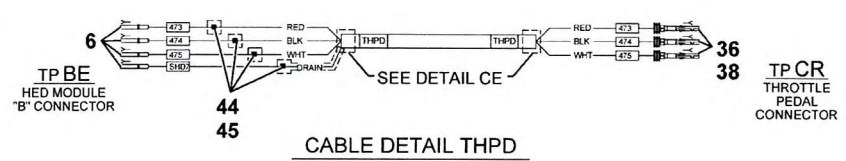
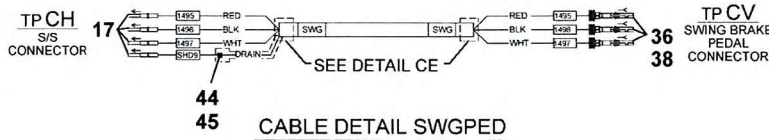
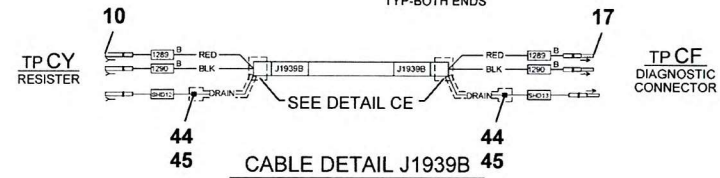
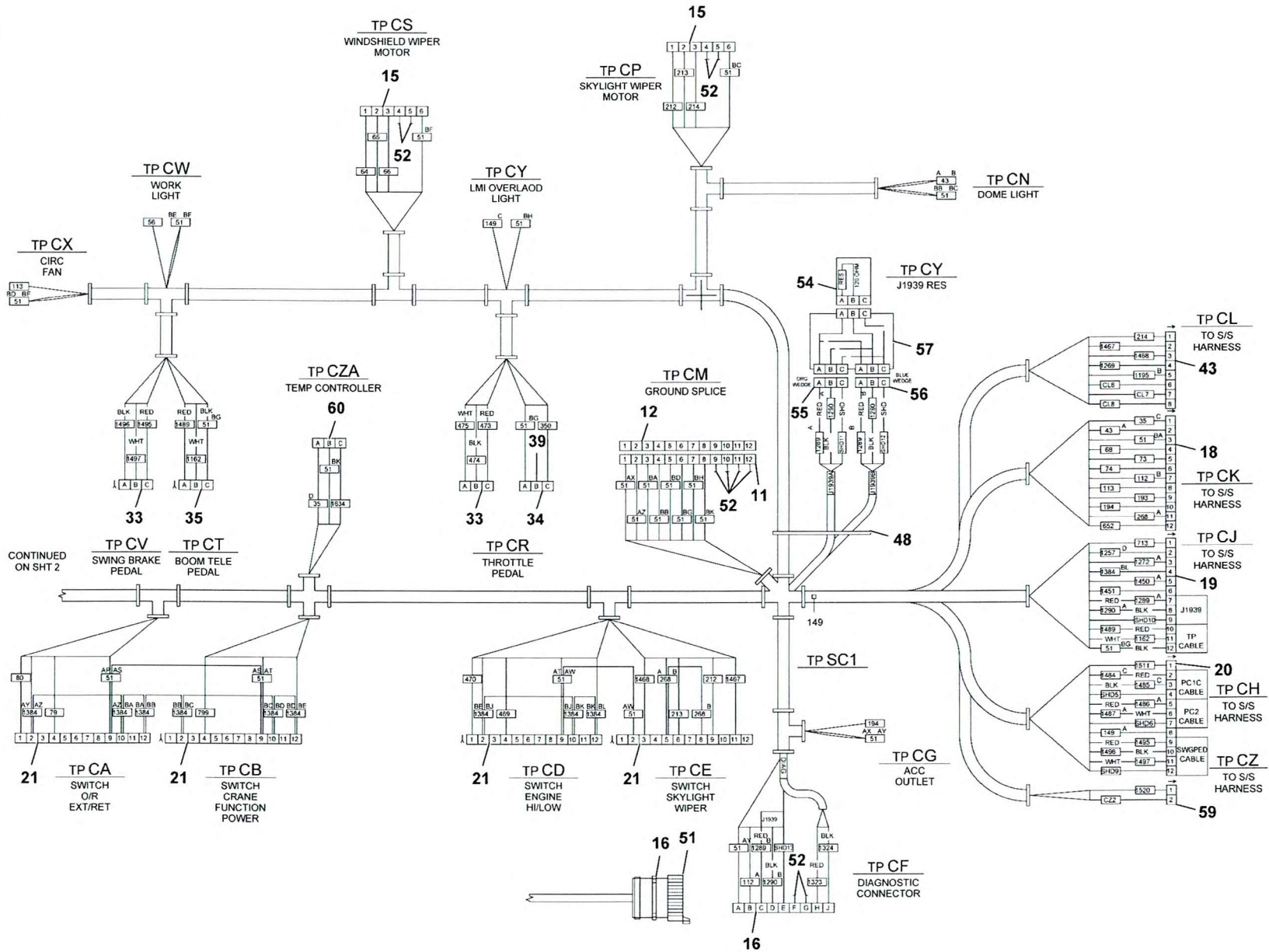


CABLE DETAIL PC1

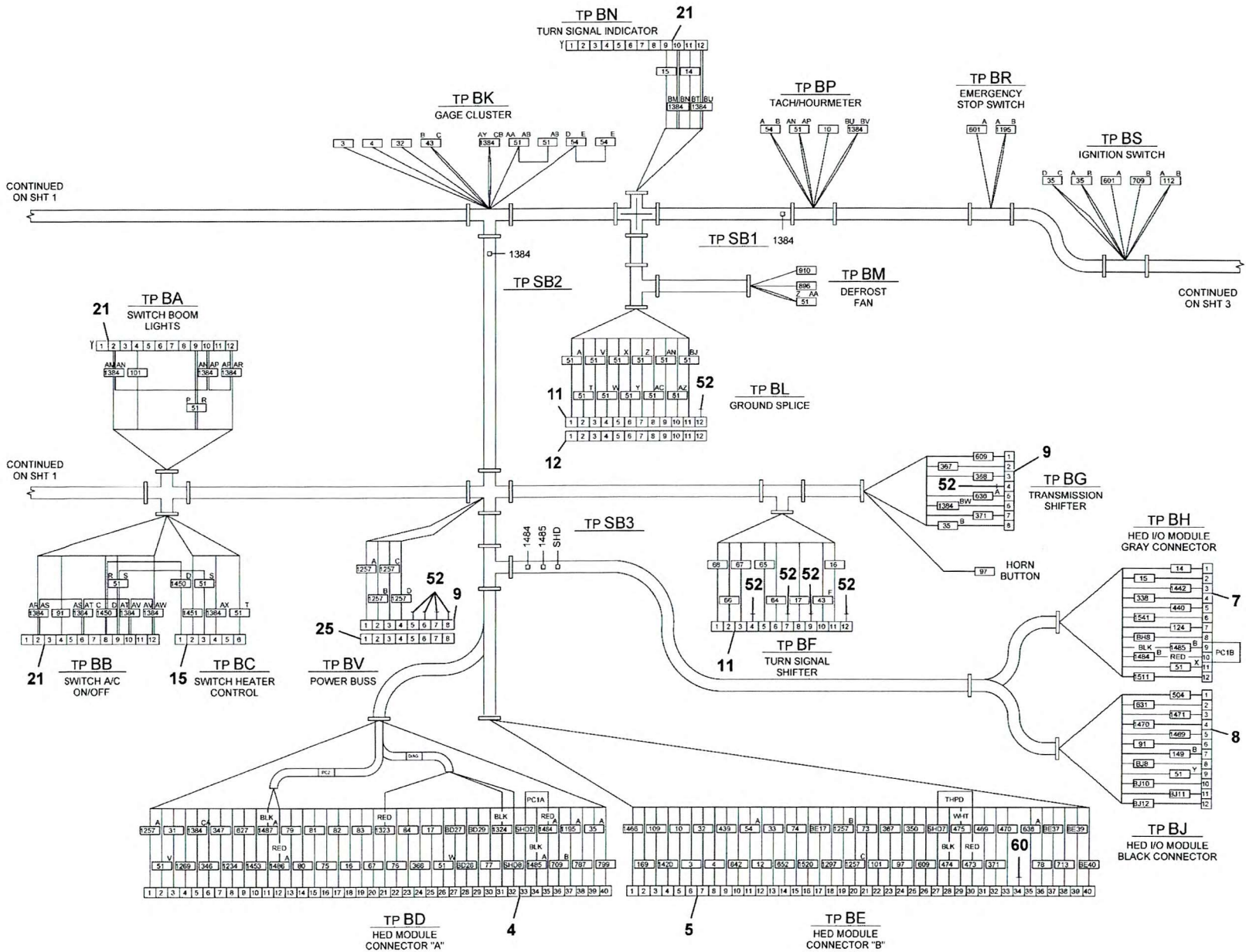


TP CE  
CABLE ENDS  
TYP-BOTH ENDS

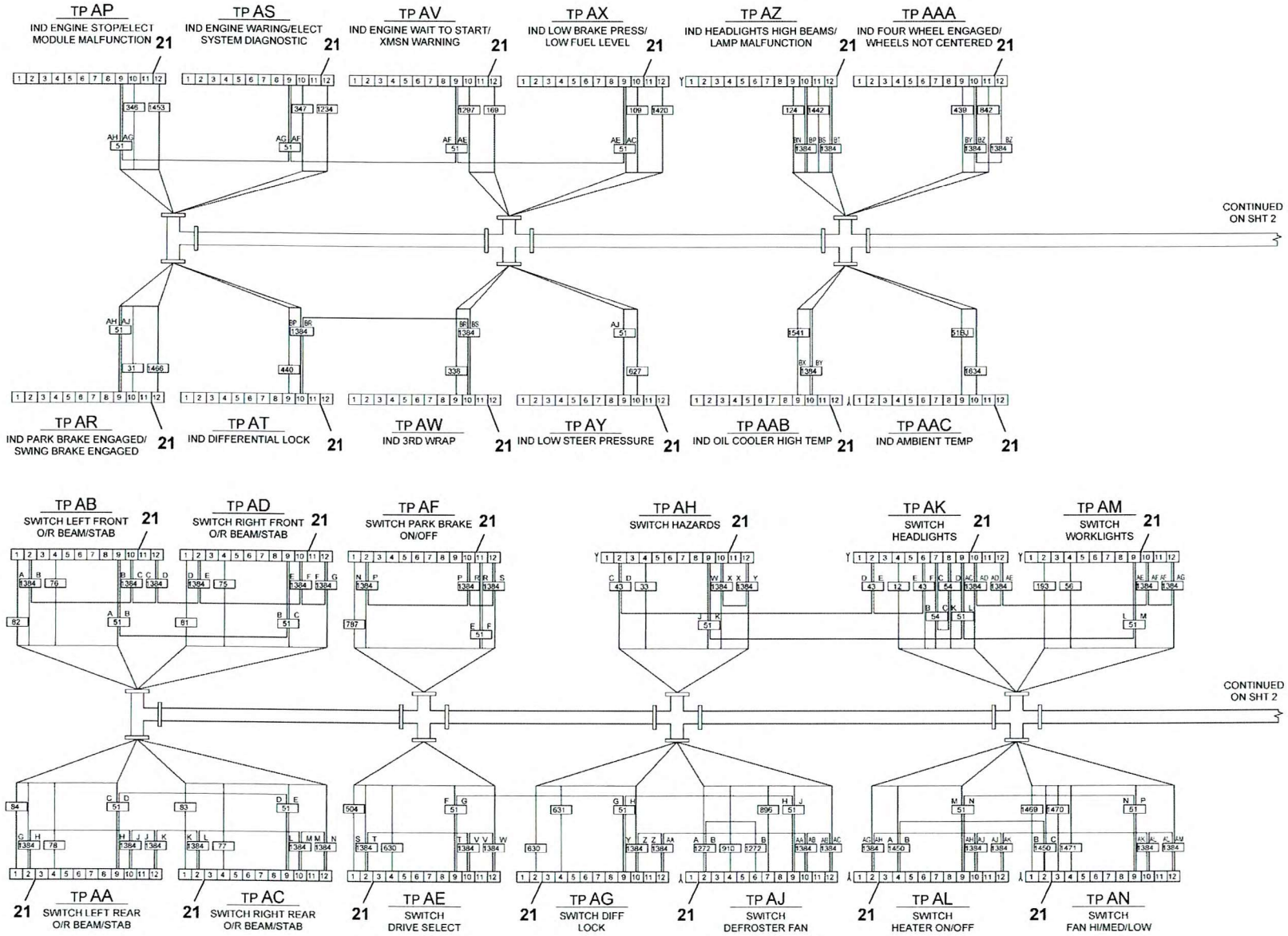




Manitowoc Crane Group



(SHEET 2 OF 10)



CONTINUED ON SHT 2

CONTINUED ON SHT 2

ITEM NOT SHOWN NBR. 61